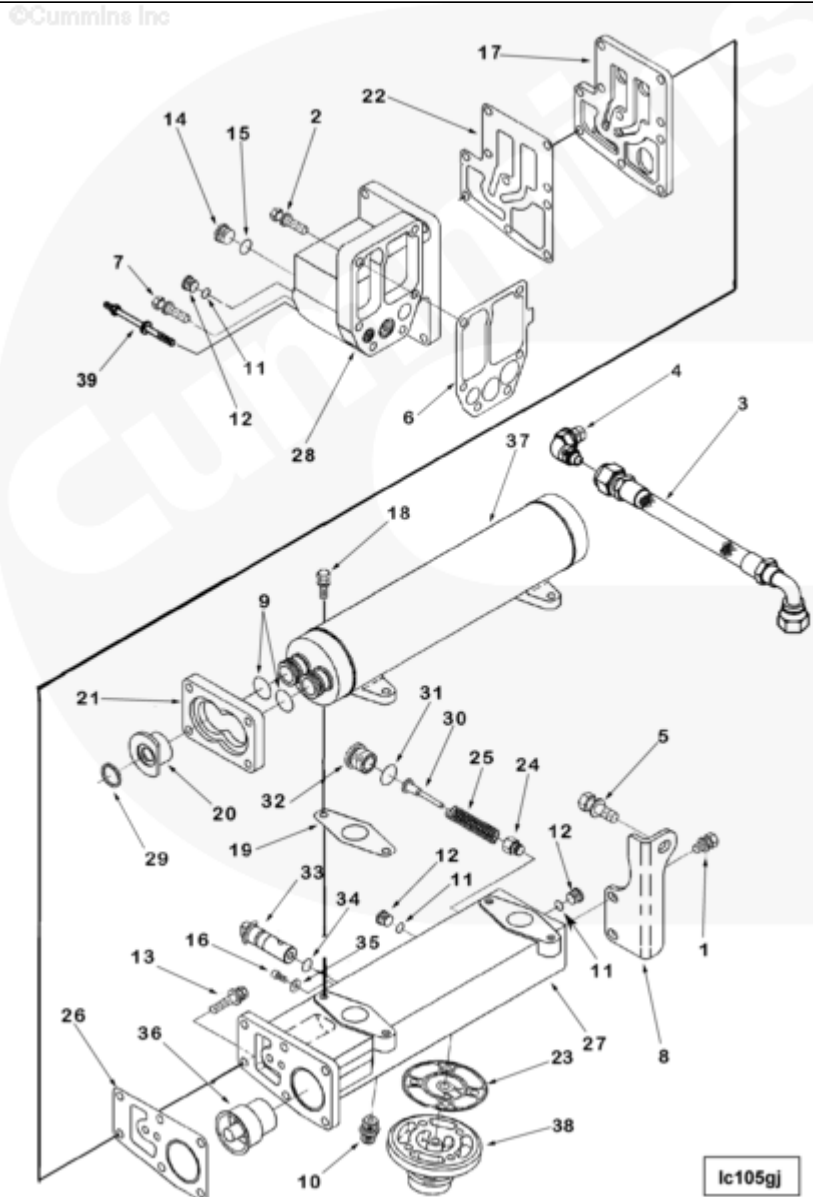




Parts Catalog - Option Detail

Electronic Parts Catalog - Option Detail				
Option	Group	Graphic	Film Card	Date
LC1725-02	07.05	lc105gj	FF	08-MAR-99
Engines	G855, G855 CM558, GTA855 CM558 (CM2358) G101, N14 CELECT, N14 CELECT PLUS, N14 MECHANICAL, NH/NT 855, QSM11 CM876 M101, QSM11 CM876 M102M, QSN14 CM876 N103, QSN14 CM876 N105, QSNT14 CM876 N102			



SMALL | MEDIUM | LARGE

Cart	Ref No	Part Number	Part Description	Required	Remarks
View My Cart					

		LC1725-02	Engine Oil Cooler		Dual pass lube oil cooler... (More)
					for use with engine mounted
					"combo" lube oil filter on
					N14 engines. Standard in-line
					cooler. Location of studded
					capscrew in lube oil cooler
					support. Stud (1) upper left.
<input type="checkbox"/>	1	3006182	Captive Washer Cap Screw	2	3/8 - 16 x 7/8 inch
<input type="checkbox"/>	2	3012473	Captive Washer Cap Screw	1	3/8 - 16 x 1 3/4 in.
<input type="checkbox"/>	3	3035580	Flexible Hose	1	
<input type="checkbox"/>	4	3037535	Male Union Elbow	2	
<input type="checkbox"/>	5	3063567	Captive Washer Cap Screw	1	1/2 - 13 X 1 1/4 Inch.
<input type="checkbox"/>	6	3066298	Oil Cooler Support Gasket	1	
<input type="checkbox"/>	7	3067984	Studded Captive Washer Screw	4	3/8 - 16 X 4 3/4 Inch.
<input type="checkbox"/>	8	3070501	Oil Cooler Bracket	1	
<input type="checkbox"/>		3078408	Lubricating Oil Cooler (Top Level Assembly)	1	
<input type="checkbox"/>	9	109080	O-Ring Seal	2	
<input type="checkbox"/>	10	206963	Filter Head Adapter	1	
<input type="checkbox"/>		3037536	Threaded Plug	5	9/16 - 18 UNF
<input type="checkbox"/>	11	3037537	O-Ring Seal	5	
	12	3040813	Threaded Plug	5	9/16 - 18 UNF
<input type="checkbox"/>	13	3042889	Captive Washer Cap Screw	10	3/8 - 16 x 1 7/8 in.
<input type="checkbox"/>		3046202	Threaded Plug	1	3/4 - 16 UNF.
	14	3040810	Threaded Plug	1	
<input type="checkbox"/>	15	3046201	O-Ring Seal	1	
<input type="checkbox"/>	16	3061400	Socket Head Cap Screw	1	1/4 - 20 X 1/2 Inch.
<input type="checkbox"/>	17	3066277	Cooler Support Spacer	1	
<input type="checkbox"/>	18	3067955	Captive Washer Cap Screw	4	5/16 - 18 X 1 1/8 Inch.
<input type="checkbox"/>	19	3069678	Oil Seal		

<input type="checkbox"/>	20	3069680	O-Ring Adapter	2	
<input type="checkbox"/>	21	3069681	Connection Retainer	1	
<input type="checkbox"/>	22	3070477	Oil Cooler Support Gasket	1	
<input type="checkbox"/>	23	3070478	Filter Head Gasket	1	
<input type="checkbox"/>	24	3412889	Bypass Valve	1	
<input type="checkbox"/>	25	3072302	Compression Spring	1	
<input type="checkbox"/>	26	3072341	Oil Transfer Connection Gasket	1	
		3072374	Oil Cooler Kit	1	
<input type="checkbox"/>	27	3072372	Oil Transfer Connection	1	
<input type="checkbox"/>	28	3081177	Oil Cooler Support	1	
<input type="checkbox"/>	29	3072375	Rectangular Ring Seal	2	
<input type="checkbox"/>	30	3072377	Bypass Valve Plunger	1	
<input type="checkbox"/>		3412405	Threaded Plug	1	
<input type="checkbox"/>	31	3046943	O-Ring Seal	1	
	32	3412404	Threaded Plug	1	
<input type="checkbox"/>	33	3803554	Corrosion Resistor Kit		
<input type="checkbox"/>	34	3072397	O-Ring Seal	1	
<input type="checkbox"/>	35	3077620	Plain Washer	1	
<input type="checkbox"/>	36	3059408	Thermostat	1	
<input type="checkbox"/>	37	3413091	Oil Cooler	1	
<input type="checkbox"/>	38	3918334	Lubricating Oil Filter Head	1	
<input type="checkbox"/>	39	3349552	Studded Captive Washer Screw	1	